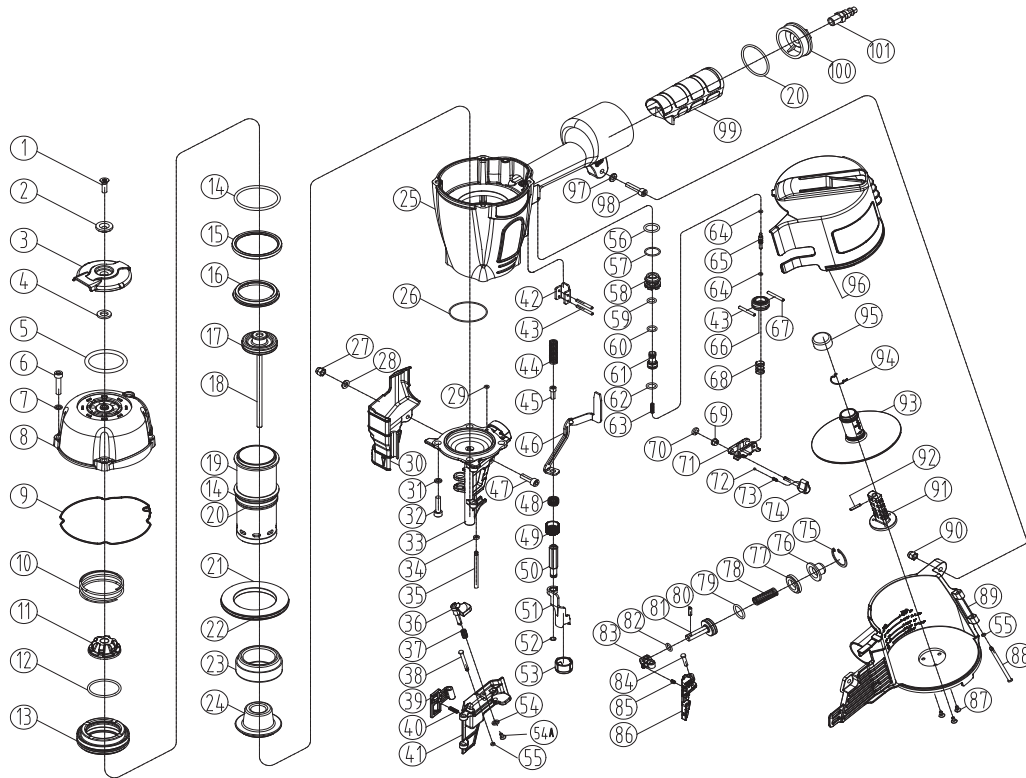


JCN90V 90mm COIL NAILER

For replacement parts contact your usual Tacwise supplier.

Exploded view drawing



Item	Description	Item	Description	Item	Description
1	Screw	40	Spring	79	O-ring 24.3 x 2.8
2	Bushing	41	Latch	80	Spring Pin 4 x 12
3	Exhaust Cover	42	Safe Guide	81	Piston
4	Seal	43	Spring Pin 3 x 28	82	O-ring 12.3 x 1.9
5	Muffler	44	Spring	83	Feed Hook Seat
6	Screw	45	Screw	84	Feed Hook Pin
7	Spring Washer 6	46	Safe Bracket	85	Spring
8	Cylinder Cap	47	Screw	86	Feed Hook
9	Gasket	48	Spring	87	Screw
10	Spring	49	Adjusting Button	88	Pin
11	Valve Seat	50	Adjusting Stem	89	Lower Nail Housing
12	O-ring 48.8 x 2.5	51	Bracket	90	Nut
13	Valve	52	Washer	91	Adjusting Stem
14	O-ring 67 x 3	53	Safe Sleeve	92	Spring Pin 2.5 x 17
15	Collar	54	Washer	93	Adjuster Plate
16	Cylinder Seal	55	Washer	94	Spring
17	O-ring 57.46 x 3.53	56	O-ring 20.3 x 2.5	95	Adjuster Nut
18	Piston Assembly	57	O-ring 20.3 x 1.5	96	Upper Nail Housing
19	Cylinder	58	Valve Guide	97	Washer
20	O-ring 65.4 x 2.5	59	O-ring 9.5 x 1.9	98	Screw
21	Restrictive Plate	60	O-ring 10.3 x 1.9	99	Soft Grip Sleeve
22	O-ring 101.91 x 3.53	61	Trigger Valve Seat	100	End Cap
23	Bumper A	62	O-ring 12.8 x 1.9	101	Air Plug
24	Bumper B	63	Spring		
25	Body	64	O-ring 5.5 x 1.5		
26	O-ring 62.3 x 1.8	65	Trigger Valve Stem		
27	Nut	66	Trigger Valve Guide		
28	Washer	67	Spring Pin 3 x 26		
29	O-ring 8.3 x 1.8	68	Trigger Spring		
30	Protector	69	Rotating Shaft Bushing		
31	Spring Washer	70	Locking Washer 3		
32	Screw	71	Trigger Assembly		
33	Nose	72	Steel Ball		
34	Washer	73	Spring		
35	Pin	74	Rotating Shaft Pin		
36	Handwheel Assembly	75	Locking Washer 28		
37	Spring	76	Cover		
38	Feed Hook Pin	77	Piston Bumper		
39	Stopped Hook	78	Spring		